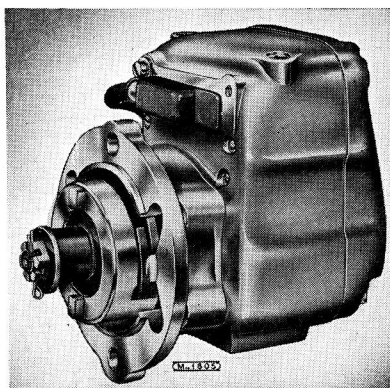


BENDIX

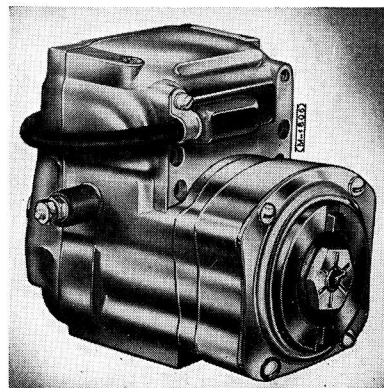
SERIES H MAGNETOS

Types H1-1 - H1-2 - H1-4 - H1-8 - H1-13

SERVICE PARTS LIST



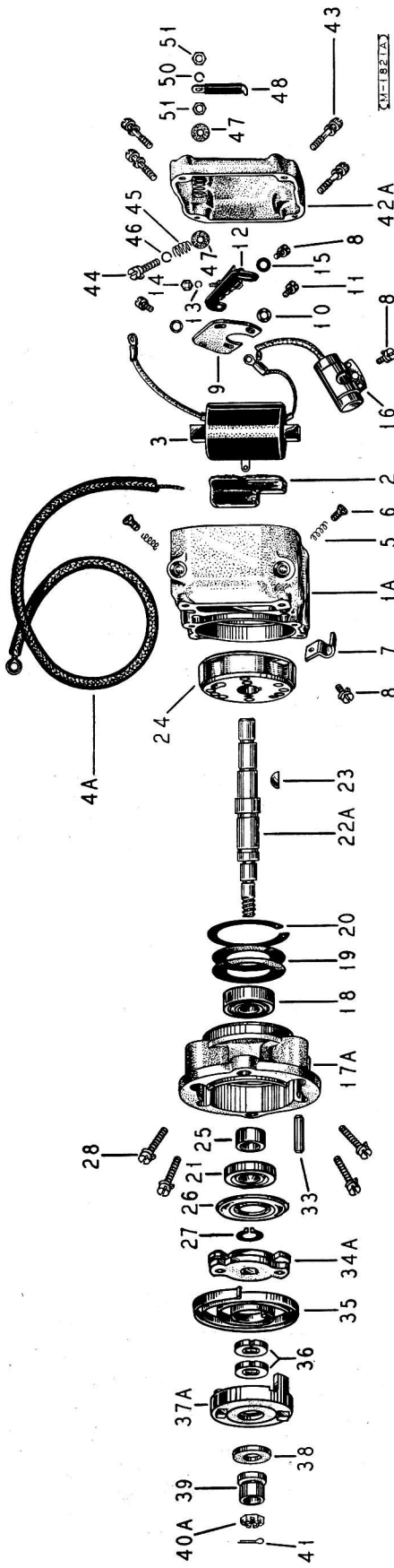
Typical Flange Mounted
"H" Series Magneto



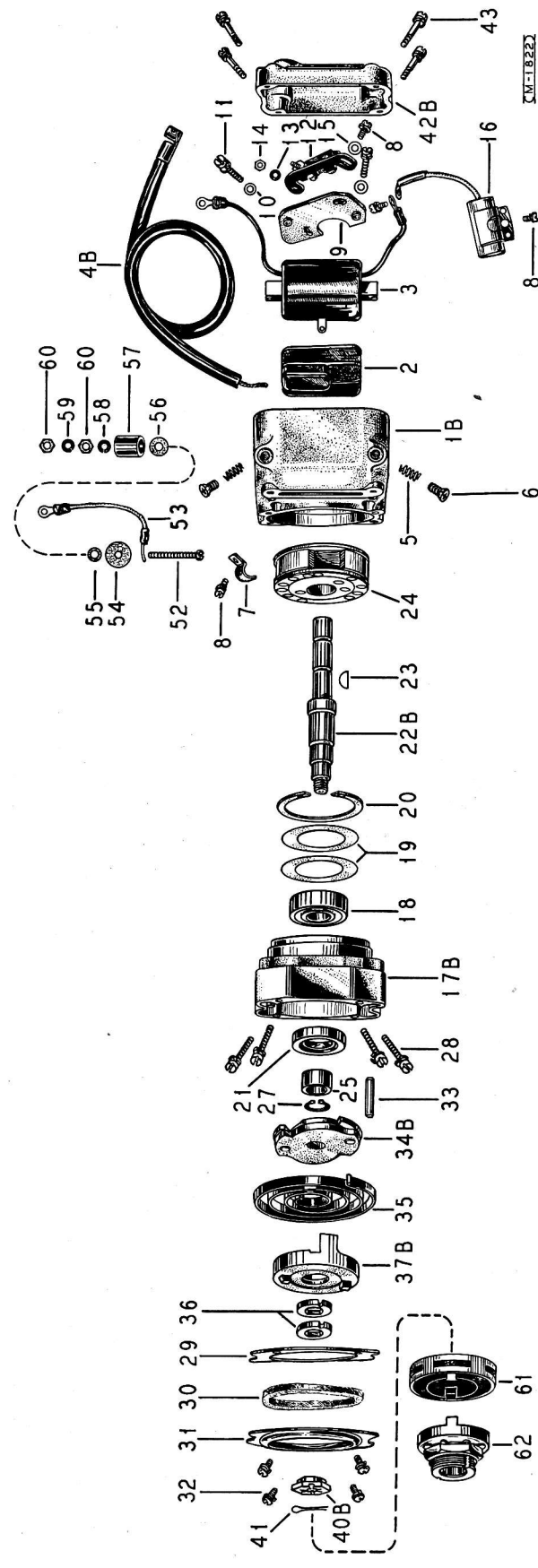
Typical Base Mounted
"H" Series Magneto

SCINTILLA MAGNETO DIVISION BENDIX AVIATION CORPORATION
SIDNEY, NEW YORK, U.S.A.

BENDIX H SERIES MAGNETOS



EXPLODED PARTS VIEW OF HI-1 MAGNETO 10-54000-1



EXPLODED PARTS VIEW OF HI-2 MAGNETO 10-54000-2

SPECIFICATION DATA

TYPE	SPEC. NO.	MOUNTING	ROTATION	LAG ANGLE
H1-1	10-54000-1	FLANGE (WISCONSIN)	CLW.	27°
H1-2	10-54000-2	BASE (35 MM.)	CLW.	20°
H1-4	10-54000-4	BASE (44 MM.)	CLW.	10°
H1-8	10-54000-8	BASE (35 MM.)	ANTI-CLW.	27°
H1-13	10-54000-13	FLANGE (WISCONSIN)	CLW.	20°

SERVICE PARTS LIST

Ref. No.	Description	H1-1		H1-2		H1-4		H1-8		H1-13	
		Part No.	Req'd	Part No.	Req'd	Part No.	Req'd	Part No.	Req'd	Part No.	Req'd
1A	HOUSING—Magnet	10-55535	1	10-55534	1	10-55522	1	10-55522	1	10-55535	1
1B	HOUSING—Magnet	10-37806	1	10-37806	1	10-37806	1	10-37806	1	10-37806	1
2	INSULATOR—H. T. Connection	10-54007	1	10-54007	1	10-54007	1	10-54007	1	10-54007	1
3	COIL	10-54030	1	10-54030	1	10-54030	1	10-54030	1	10-54030	1
4A	LEAD—High Tension	10-54031	2	10-54031	2	10-54031	2	10-54031	2	10-54031	2
4B	LEAD—High Tension	10-54029	2	10-54029	2	10-54029	2	10-54029	2	10-54029	2
5	SPRING—Coil Core	10-37807	1	10-37807	1	10-37807	1	10-37807	1	10-37807	1
6	SCREW (Coil Core)	10-51661	1	10-51661	1	10-51661	1	10-51661	1	10-51661	1
7	CLAMP (H. T. Lead)	10-51661	2	10-51661	2	10-51661	2	10-51661	2	10-51661	2
8	SCREW AND LOCK WASHER (H. T. Lead Clamp)	10-51661	2	10-51661	2	10-51661	2	10-51661	2	10-51661	2
	(Contact Assembly)	10-51661	2	10-51661	2	10-51661	2	10-51661	2	10-51661	2
9	PLATE—Breaker Adjusting (Condenser)	10-54038	1	10-54038	1	10-54038	1	10-54038	1	10-54038	1
10	WASHER—Plain (Adjusting Plate Screw)	10-7611	2	10-7611	2	10-7611	2	10-7611	2	10-7611	2
11	SCREW AND LOCK WASHER (Adjusting Plate)	10-51664	2	10-51664	2	10-51664	2	10-51664	2	10-51664	2
12	CONTACT ASSEMBLY—Breaker	10-52344W	1	10-52344W	1	10-52344W	1	10-52344W	1	10-52344W	1
13	WASHER—Lock (Primary Lead to Contact Assembly Nut)	2-194	1	2-194	1	2-194	1	2-194	1	2-194	1
14	NUT (Primary Lead to Contact Assembly)	10-38682	1	10-38682	1	10-38682	1	10-38682	1	10-38682	1
15	WASHER—Plain (Adjustable End of Contact Assembly)	10-14268	1	10-14268	1	10-14268	1	10-14268	1	10-14268	1
16	CONDENSER	10-58224Y	1	10-58224Y	1	10-58224Y	1	10-58224Y	1	10-58224Y	1
17A	FLANGE—Mounting	10-54003	1	10-54049	1	10-54049	1	10-54049	1	10-54003	1
17B	PLATE—Front End	10-55533	1	10-55533	1	10-55533	1	10-55533	1	10-55533	1
18	BEARING—Ball (Magnet Shaft, Drive End)	10-54088	2	10-54088	2	10-54088	2	10-54088	2	10-54088	2
19	WASHER—Plain (Drive End Bearing)	10-54089	1	10-54089	1	10-54089	1	10-54089	1	10-54089	1
20	RING—Retaining (Drive End Bearing)	10-27448	1	10-27448	1	10-27448	1	10-27448	1	10-27448	1
21	OIL SEAL—Drive Shaft	10-54035	1	10-54035	1	10-54035	1	10-54035	1	10-54035	1
22A	SHAFT—Rotating Magnet—Clw.	2-295Z	1	2-295Z	1	2-295Z	1	2-295Z	1	2-295Z	1
22B	SHAFT—Rotating Magnet—Anti-clw.	10-55551	1	10-55551	1	10-55551	1	10-55551	1	10-55551	1
23	KEY—Woodruff (Rotating Magnet)	10-25788	1	10-25788	1	10-25788	1	10-25788	1	10-25788	1
24	MAGNET—Rotating	10-54082	1	10-54082	1	10-54082	1	10-54082	1	10-54082	1
25	BUSHING (Drive Shaft Oil Seal)	10-54027	1	10-54027	1	10-54027	1	10-54027	1	10-54027	1
26	SLINGER—Oil (Drive Shaft)	10-16489	4	10-16489	4	10-16489	4	10-16489	4	10-16489	4
27	RING—Retaining (Oil Slinger)	10-54027	1	10-54027	1	10-54027	1	10-54027	1	10-54027	1
28	SCREW (Mounting Flange)	10-16489	4	10-16489	4	10-16489	4	10-16489	4	10-16489	4
	(Front End Plate)	10-55501	4	10-55501	4	10-55501	4	10-55501	4	10-55501	4
*	WASHER—Plain (Mounting Flange Screw)	10-55501	4	10-55501	4	10-55501	4	10-55501	4	10-55501	4

Ref. No.	Description	Hi-1		Hi-2		Hi-4		Hi-8		Hi-13	
		Part No.	Req'd	Part No.	Req'd	Part No.	Req'd	Part No.	Req'd	Part No.	Req'd
*	WASHER—Lock (End Plate Screw)										
29	SUPPORT—Sealing Ring										
30	RING—Sealing										
31	RETAINER—Sealing Ring										
32	SCREW AND LOCK WASHER (Sealing Ring Retainer)										
33	PIN—Stop (Impulse Coupling)	10-55505	1							10-55505	1
*	IMPULSE COUPLING—27° Lag—Clw. (Includes 10-51324, 10-54016, 10-54018, 10-54019)	10-54014	1								
*	IMPULSE COUPLING—20° Lag—Clw. (Includes 10-51324, 10-54016, 10-54018, 10-54019)	10-55509	1								
*	IMPULSE COUPLING—10° Lag—Clw. (Includes 10-51324, 10-54019, 10-54058, 10-54061)					10-55519	1				
*	IMPULSE COUPLING—27° Lag—Anti-clw. (Includes 10-51324, 10-54019, 10-54061, 10-54072)										
*	IMPULSE COUPLING—27° Lag—Anti-clw. (Includes 10-51324, 10-54019, 10-55538, 10-55539)										
*	IMPULSE COUPLING—20° Lag—Clw. (Includes 10-51324, 10-54018, 10-54019, 10-55523)										
34A	CAM—Impulse Coupling—Clw.	10-54016	1								
34B	CAM—Impulse Coupling—Clw.										
*	CAM—Impulse Coupling—Anti-clw.										
35	SPRING—Main (Impulse Coupling)	10-51324	1								
36	WASHER—Special (Impulse Coupling Main Spring)	10-54019	2								
37A	BODY—Impulse Coupling—Clw.	10-54018	1								
37B	BODY—Impulse Coupling—Clw.										
*	BODY—Impulse Coupling—Anti-clw.										
38	WASHER—Plain (Drive Shaft)	10-54044	1								
39	BUSHING—Shouldered (Drive Shaft)	10-54043	1								
40A	NUT—Drive Shaft	10-54045	1								
40B	NUT—Drive Shaft										
41	PIN—Cotter (Drive Shaft Nut)	10-51644	1								
42A	COVER ASSEMBLY—Magneto	10-54004Y	1								
42B	COVER—Magneto										
43	SCREW AND LOCK WASHER (Magneto Crter)	10-54047	4								
44	SCREW (Ground Terminal)	10-50775	1								
45	SPRING—Ground Contact	10-54039	1								
46	WASHER—Plain (Ground Terminal Screw)	10-12028	1								
47	WASHER—Insulating (Ground Terminal)	10-54041	2								
48	SPRING ASSEMBLY—Magneto Grounding	10-55531	1								
50	WASHER—Lock (Ground Terminal Screw Nut)	10-1679	1								
51	NUT (Ground Terminal Screw)	10-54042	2								
52	SCREW (Ground Terminal)										
53	LEAD—Primary (Breaker to Ground Terminal)	10-54084	1								
54	WASHER—Insulating—Large (Ground Terminal)	10-54081	1								
55	BUSHING—Insulating (Ground Terminal Screw)	10-54040	1								
56	WASHER—Insulating—Small (Ground Terminal)	10-54094	1								
57	BUSHING—Insulating (Ground Terminal)	10-54091	1								
58	WASHER—Plain (Ground Terminal Nut)	10-14268	1								
59	WASHER—Lock (Ground Terminal Nut)	10-1679	1								
60	NUT (Ground Terminal Screw)	10-54042	2								
61	DRIVE DISC—Impulse Coupling	10-55545	1								
62	COUPLING ASSEMBLY—Magneto Drive	10-55520	1								
*	PLATE—Adaptor (9mm)	10-55518	2								
*	SCREW (Adaptor Plate)										

*Not illustrated